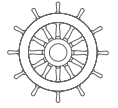
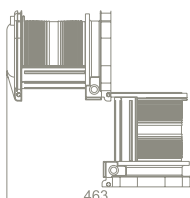
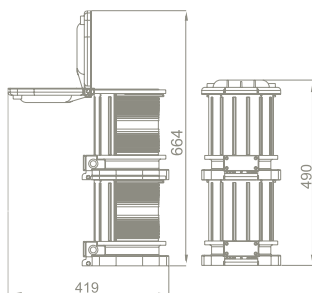
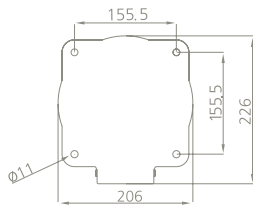
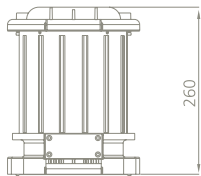
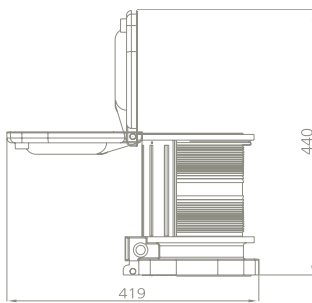




Oceanic NVG | Friendly Navigation Lights for NVG Operations



Starboard	Port	Masthead	Stern	Towing	Signalling	Manoeuvring	Suez	Steering
112,5°	112,5°	225°	135°	135°	360°	360°	135°	30°
3nm	3nm	6nm	3nm	3nm	3nm	3nm	3nm	>2nm
Green	Red	White	White	Yellow	White Red Green Yellow Blue	White	Red	Blue



Product Description

Oceanic-NVG Navigation Lights provides full solutions to match the regulations established in Stanag 1445, Stage 2, taking into consideration the contents of FAA (Federal Aviation Administration) NVG Human Factors document, for approaches, launches and recoveries in NVG Operations.

Stage 2 reads as follows: "NVG Friendly. Ship's lights will cause a controlled degree of interference to night vision goggles, but must be able to be clearly seen both through goggles and by the naked eye"

Our lights of the type Oceanic-NVG comply with above requirements, filtering their light emission with high quality interferential filters with cut-off frequencies as per class B in NVG human factors document.

Besides an anti-vibration set is delivered with every light.

Application

For vessels involved in night flights with helicopters and other aircrafts minimizing the glare produced in NVG by Red and IR emissions.

Approval

Det Norske Veritas (DNV) , according to EN-ISO 14744.

Technical Features

Housing:	Polycarbonate reinforced with fibreglass
Lens:	Polycarbonate fresnel lens, shock and UV resistant
Fully resistant to sea environment	
Non magnetic	
Integrated terminal box in every light	
Access to bulb from above:	Lamp easy to change
Lamp holder:	P28S
Weight:	2 kg
Protection:	IP 66
Antivibration system	
Input voltage:	24V 110V 220V
Power consumption:	40W 60W 65W

Optionals

Delivery of custom made lights upon request